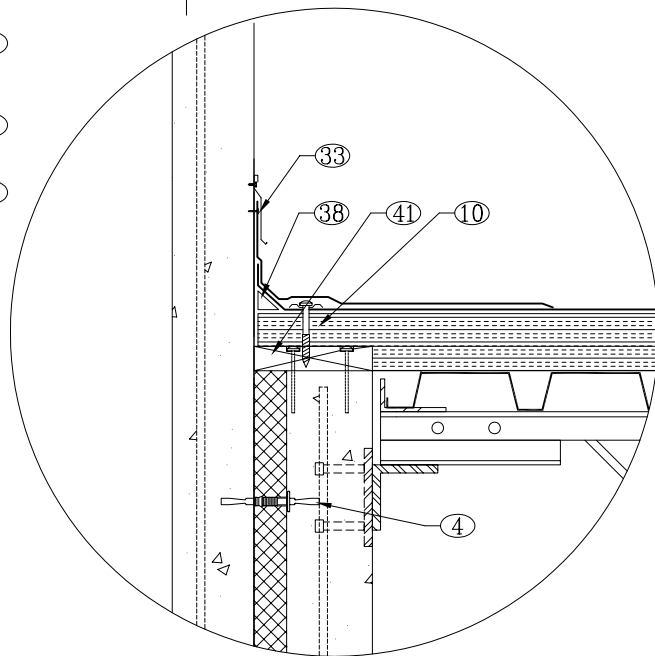


- ① STYROFOAM INSULATION AS PROVIDED WITH THE THERMOMASS SYSTEM
- ② THERMOMASS FIBER COMPOSITE CONNECTOR @ 16" O.C.
- ④ THERMOMASS FIBER COMPOSITE CONNECTOR @ 8" O.C. HORIZONTALLY
- ⑨ INSULATION OFFSET TO THICKEN FASCIA FOR PARAPET
- ⑩ INSULATION PROVIDED BY ROOF INSTALLER
- ③③ COUNTERFLASHING
- ③④ STEEL JOIST AND GIRDER ROOF STRUCTURE
- ③⑧ TREATED CANT STRIP
- ③⑨ ROOF MEMBRANE
- ④① BLOCKING
- ⑦⑨ FABRIC DOUBLE MATTED
- ⑧③ WELDED WIRE FABRIC
- ⑧④ REINFORCING PER STRUCTURAL ENGINEER



OPTIONAL CONNECTION

CONSTRUCTION DOCUMENTS BASED ON DETAILS PROVIDED BY COMPOSITE TECHNOLOGIES CORPORATION WILL VARY ACCORDING TO PROJECT DEMANDS. REFER TO THE PROJECT ARCHITECT OR ENGINEER FOR SPECIFIC DETAILS.

COPYRIGHT 2003 COMPOSITE TECHNOLOGIES CORPORATION
 THIS DRAWING IS THE EXCLUSIVE PROPERTY OF CTC.
 ANY REPRODUCTION, COPY, OR OTHER UNAUTHORIZED USE OF
 THIS DRAWING, INCLUDING BUT NOT LIMITED TO USE OF THIS
 DRAWING IN THE INSTALLATION OF A NON-CTC INSULATION SYSTEM,
 IS A VIOLATION OF U.S. COPYRIGHT LAWS AND OTHER RIGHTS OF CTC.
 Composite Technologies Corporation
 1000 Technology Drive, Boone, IA 50036
 Wats: (800) 232-1748; Ph: (515) 433-6075; Fax: (515) 433-6088
 Email: Info@thermomass.com

PROJECT:	GENERAL DETAIL FILE	
DETAIL:	ROOF PARAPET JOIST BEARING	
SCALE:	1"=1'-0"	
DRAWN BY:	TIM	CHECKED BY: DXN
DATE:	07/16/99	REVISION: 04/16/03

CONFIGURATION:	3"1/2"17"
PROJECT NO.:	
DRWG. NO.:	PC2-P62

