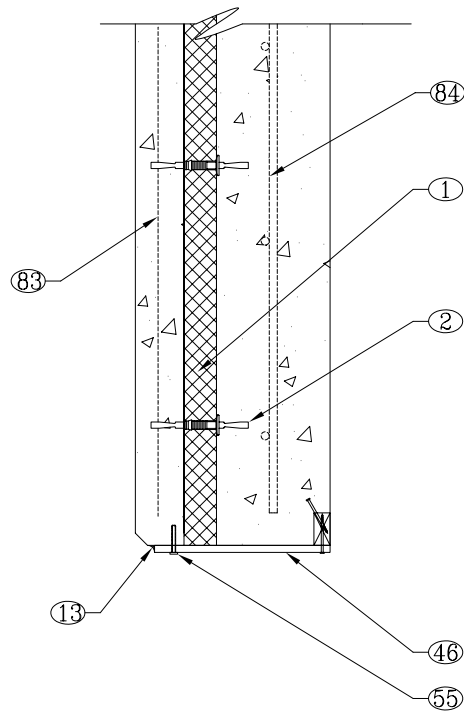
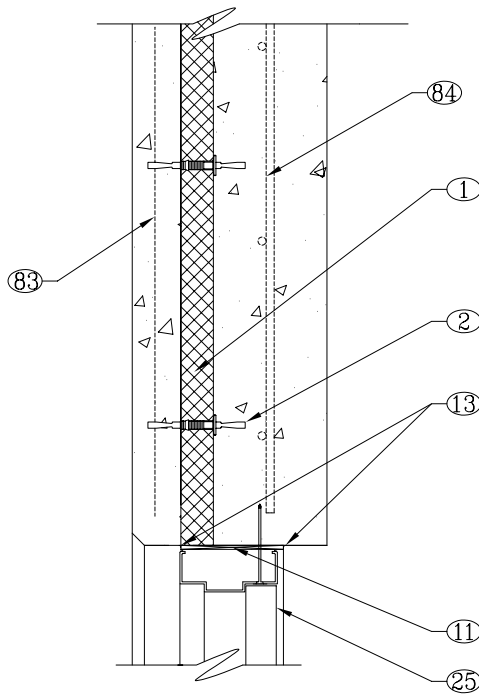


①	STYROFOAM INSULATION AS PROVIDED WITH THE THERMOMASS SYSTEM
②	THERMOMASS FIBER COMPOSITE CONNECTOR @ 16" O.C.
①①	ISOLATION LAYER
⑬	CAULK AS NEEDED
②⑤	DOOR FRAME (SEE MANUFACTURER)
④⑥	NON-CONDUCTIVE FLASHING
⑤⑤	LIGHT-DUTY MUSHROOM HEAD HAMMER-DRIVE MASONRY ANCHOR
⑧③	WELDED WIRE FABRIC
⑧④	REINFORCING PER STRUCTURAL ENGINEER

MANDOOR HEADER

OVERHEAD DOOR HEADER



HEAD DETAIL - JAMB SIMILAR

CONSTRUCTION DOCUMENTS BASED ON DETAILS PROVIDED BY COMPOSITE TECHNOLOGIES CORPORATION WILL VARY ACCORDING TO PROJECT DEMANDS. REFER TO THE PROJECT ARCHITECT OR ENGINEER FOR SPECIFIC DETAILS.

COPYRIGHT 2003 COMPOSITE TECHNOLOGIES CORPORATION

THIS DRAWING IS THE EXCLUSIVE PROPERTY OF CTC.
ANY REPRODUCTION, COPY, OR OTHER UNAUTHORIZED USE OF
THIS DRAWING, INCLUDING BUT NOT LIMITED TO USE OF THIS
DRAWING IN THE INSTALLATION OF A NON-CTC INSULATION SYSTEM,
IS A VIOLATION OF U.S. COPYRIGHT LAWS AND OTHER RIGHTS OF CTC.

Composite Technologies Corporation
1000 Technology Drive., Boone, IA 50036
Wats: (800) 232-1748; Ph: (515) 433-6075; Fax: (515) 433-6088
Email: info@thermomass.com

PROJECT:	GENERAL DETAIL FILE	
DETAIL:	DOOR HEADER TYPICAL	
SCALE:	1"=1'-0"	
DRAWN BY:	TIM	CHECKED BY: DXN
DATE:	3/04/98	REVISION: 04/16/03

CONFIGURATION:	3"2"17"
PROJECT NO.:	
DRWG. NO.:	PC2-D10

